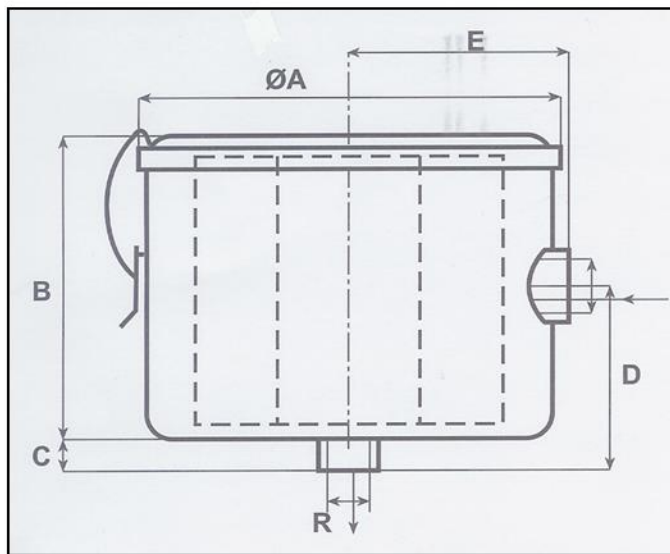


DOVAC VACUÛMFILTERS



VACUÛM- EN BLOWERTECHNIEK



DOVAC Ref.	Max. flow m ³ /h	Afmetingen filter						Luchtfilters elementen		
		R	A	B	C	D	E	Papier	Polyester	Actief kool
640FILT6STD	24	G.3/8" F	80	66	12	39	45	640FILT6i	640FILT6Pi	640FILT6Ci
640FILT20STD	42	G.3/4" F	110	76	14	53	54	640FILT20i	640FILT20Pi	640FILT20Ci
640FILT60STD	96	G.1"1/4 F	133	85	17	53	78	640FILT60i	640FILT60Pi	640FILT60Ci
640FILT100STD	108	G.1"1/4 F	170	141	17	93	96	640FILT100i	640FILT100Pi	640FILT100Ci
640FILT200STD	192	G.1"1/2 F	170	170	18	124	100	640FILT200i	640FILT200Pi	640FILT200Ci
640FILT250STD	310	G.2" F	200	240	18	124	114	640FILT270i	640FILT270Pi	640FILT270Ci
640FILT270STD	360	G.2"1/2 F	200	240	18	124	114	640FILT270i	640FILT270Pi	640FILT270Ci
640FILT550STD	550	G.3" F	270	180	50	145	165	640FILT550i	640FILT550Pi	640FILT550Ci
640FILT700STD	720	G.4" F	270	180	50	145	165	640FILT550i	640FILT550Pi	640FILT550Ci
640FILT1000STD	1080	G.3" F	280	395	50	330	190	640FILT1000i	640FILT1000Pi	640FILT1000Ci
640FILT1200STD	1260	G.4" F	360	590	50	400	230	640FILT1200i	640FILT1200Pi	640FILT1200Ci