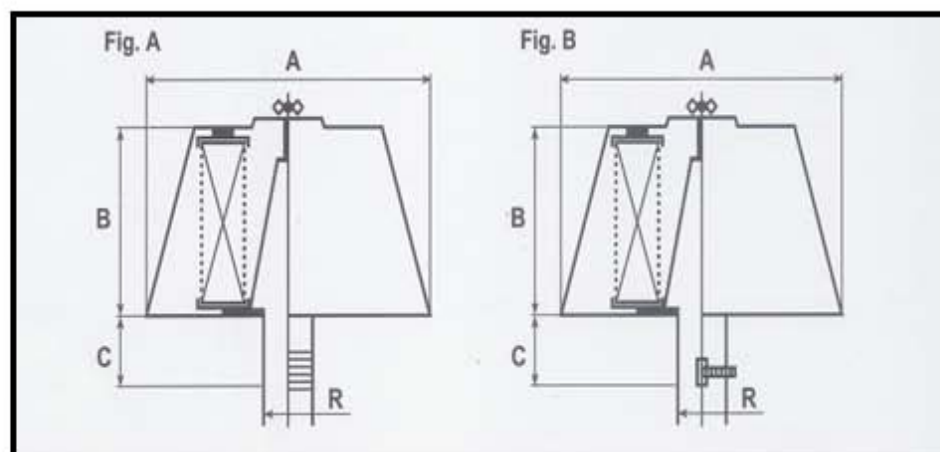


# DOVAC ZUIGFILTERS VOOR BLOWERS



Dovac referen- tlenr.	Fig.	Flowrate m3/h	Afmetingen				Filterelement Papier
			R	A	B	C	
640FILT750STD	A	48	G.1/2"	105	65	100	640FILT800i
640FILT800STD	A	48	G.3/4"	105	65	100	640FILT800i
640FILT850STD	A	48	G.1"	105	65	100	640FILT800i
640FILT1400STD	A	84	G.1"	130	90	100	640FILT1900i
640FILT1900STD	A	114	G.1 1/2"	130	90	200	640FILT1900i
640FILT5000STD	A	300	G.2"	214	110	200	640FILT5000i
640FILT8000STD	A	480	G.2 1/2"	216	139	250	640FILT8000i
640FILT15000STD	A	900	G.3"	285	85	250	640FILT15000i
640FILT30000STD	A	1800	G.4"	330	170	300	640FILT30000i
640FILT30STD	B	30	20	95	83	25	640FILT30i
640FILT120STD	B	120	40	130	90	25	640FILT60i
640FILT210STD	B	210	52	130	115	30	640FILT210i
640FILT290STD	B	270	60	160	135	30	640FILT100i
640FILT300STD	B	270	70	160	135	30	640FILT100i
640FILT480STD	B	480	80	180	135	30	640FILT480i
640FILT900STD	B	900	100	280	180	30	640FILT550i